

Optical LNB

Ref. 2353

Main features

- Almost zero losses (<0.1 dB/km)
- The optical LNB can transmit the 4 satellite polarities/bands in a single fibre optic cable
- Easy to install
- One optical LNB can feed up to 32 points via a single fibre optic cable within 10 Km

Technical features

Input frequency	GHz	10,7 – 12,75
Output frequency	GHz	0,95 – 5,45
Noise figure	dB	0,5
Max. Output level	dBm	115
Gain	dB	72
Powering	Vdc	12
Consumption	mA	450
DC connector		F Female
Output connector		FC/PC



Description

The optical LNB is a revolutionary concept in the distribution of SAT signals.

Four satellite polarities/bands are stacked into one single optical fibre.

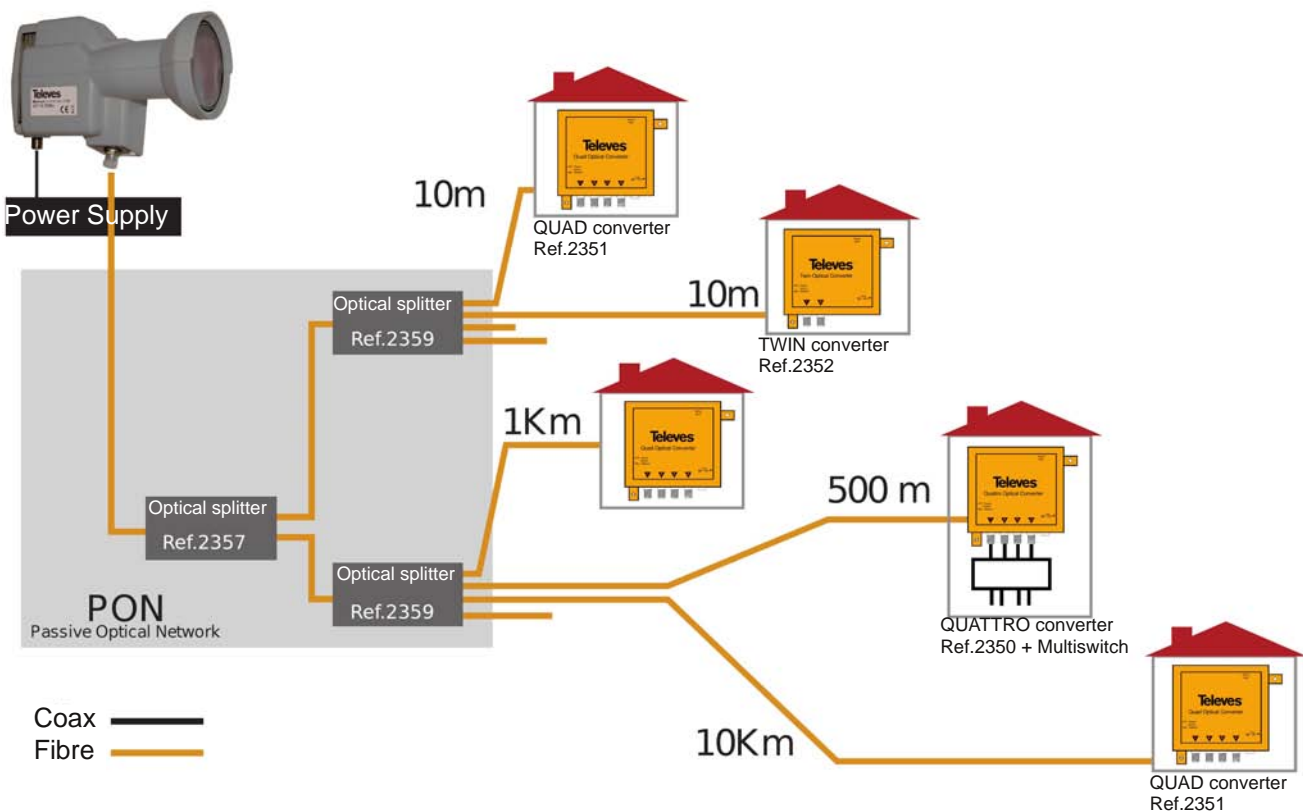
The optical LNB is powered via a 12Vdc PSU through a female F connector.

FC/PC type optical connectors and single mode output.

The optical signal supplied by the optical LNB can be split up to 32 times to feed 32 TWIN, QUAD or QUATTRO converters.

Ref.	Description	EAN Code
2353	Optical LNB (PSU ref.7321 incl.)	8424450142677
Accessories		
7321	Power Supply 12V/1200mA	8424450134870

Typical application



TWIN and QUAD Optical Converters

July 2010 - No.22

Ref. 2352 and 2351

Main features

- Easy to install
- Provides up to 2/4 (TWIN/QUAD) independent satellite feeds from one single fibre
- Powered via satellite set top box (STB)
- Converts the optical output signal coming from the Optical LNB to RF satellite signals that the STB can receive



Description

The Optical Converters return the fibre optic signals into the frequency spectrum of 950 to 2150MHz, compatible with any satellite STB.

The TWIN or QUAD optical converters emulate the functionality of a standard TWIN or QUAD, so the output of these converters can be connected directly to the satellite STB.

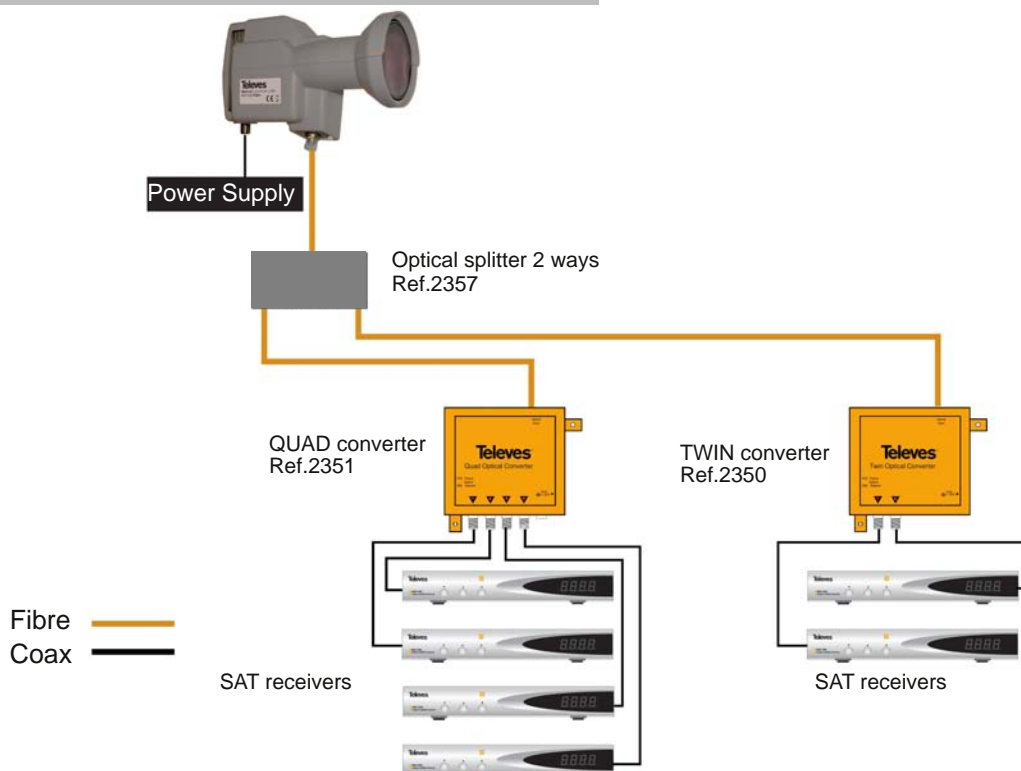
Ideal solution when you need to have long cable runs and hence using a standard coaxial network could be more expensive and difficult to design.

Technical features

Input frequency	GHz	950 – 5450
Output frequency		950 – 2150
Noise figure	dB	4
Isolation		30
Max. Output level	dBµV	43 – 83
Powering		RX SAT
Consumption at 12Vdc	mA	330
Input connector		FC/PC
Output connector		F female

Ref.	Description	EAN Code
2352	TWIN MDU	8424450142660
2351	QUAD MDU	8424450142653

Typical application



QUATTRO Optical Converter

Ref. 2350

July 2010 - No.22

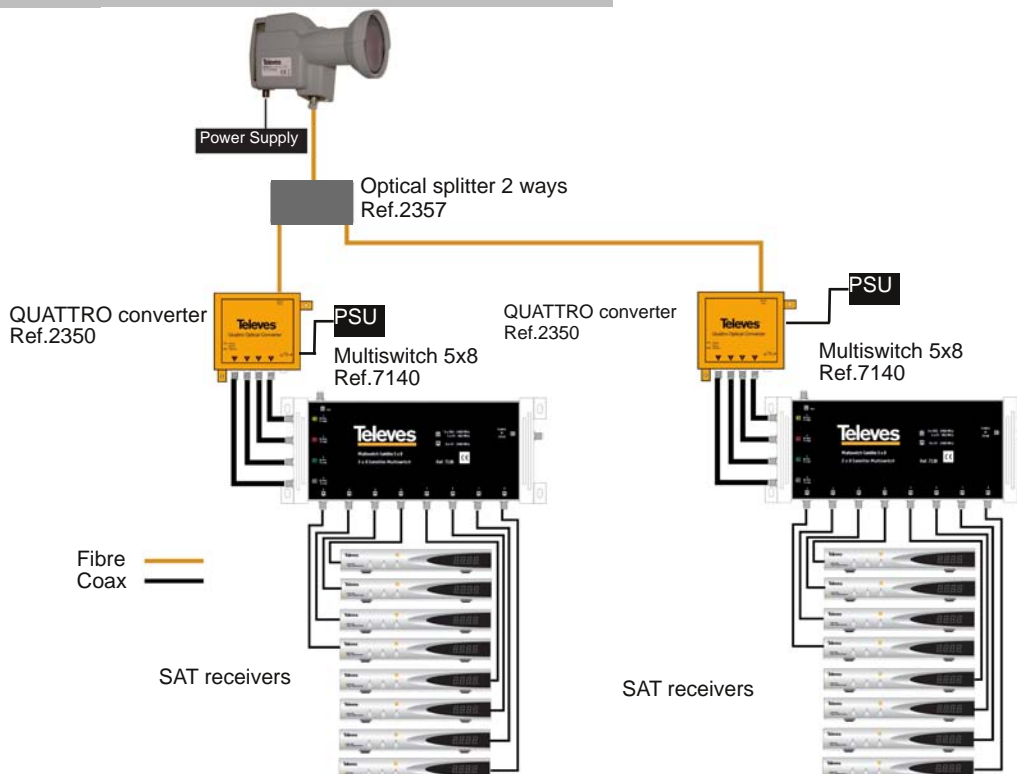
Main features

- Easy to install
- Converts an optical input into 4 RF outputs
- PSU included
- Converts the optical signal coming from a single optic fibre into the 4 polarities/bands (HH, HL, VH, and VL)

Technical features

Input frequency	GHz	950 – 5450
Output frequency		950 – 2150
Noise figure	dB	4
Isolation		30
Max. Output level	dBµV	43 – 83
Powering	External	
Consumtion at 12Vdc	mA	330
Input connector	FC/PC	
Output connector	F female	

Typical application



Description

The QUATTRO optical converter can be combined with the Optical LNB to overcome the problem with long cable runs and the difficulty in certain installations of running 4 coaxial cables in a very limited space left for cable runs.

The output of the QUATTRO can be connected to a MSW and then feed from there in to several satellite STB.

Ref.	Description	EAN Code
2350	QUATTRO MDU	8424450142646

Accessories

July 2010 - No.22

Splitters and attenuators

Ref.	Description	EAN Code
2357	Optical Splitter 2 ways	8424450142714
2358	Optical Splitter 3 ways	8424450142721
2359	Optical Splitter 4 ways	8424450142738
2360	Optical Splitter 8 ways	8424450142745
2364	Optical attenuator 5dB	8424450144404
2365	Optical attenuator 10dB	8424450144411
2366	Optical attenuator 15dB	8424450144428

The splitters include pre-terminated FC/PC fibre leads



Ref.2359

Adapters and connectors

Ref.	Description	EAN Code
2354	FC/PC Connector	8424450142684
2356	FC/SC Adaptor	8424450142707



Ref.2354



Ref.2356

Fibre cables and patch cords

Ref.	Description	EAN Code
2361	3m FC/PC F pre-terminated	8424450142752
236101	5m FC/PC F pre-terminated	8424450142769
236102	10m FC/PC F pre-terminated	8424450142776
236103	20m FC/PC F pre-terminated	8424450142783
236104	30m FC/PC F pre-terminated	8424450142790
236105	40m FC/PC F pre-terminated	8424450142806
236106	50m FC/PC F pre-terminated	8424450142813
236107	75m FC/PC F pre-terminated	8424450142820
236108	100m FC/PC reel pre-terminated	8424450142837
236109	200m FC/PC reel pre-terminated	8424450142844



Ref.236109



Ref.236101

FC/PC pre-connectorized patch cords

Enhanced optical fibre cable 3.0 single mode.

Tools

Ref.	Description	EAN Code
2362	Fibre tester	8424450142851

Ideal for testing connections.



Ref.2362